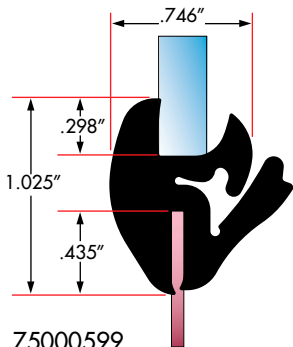
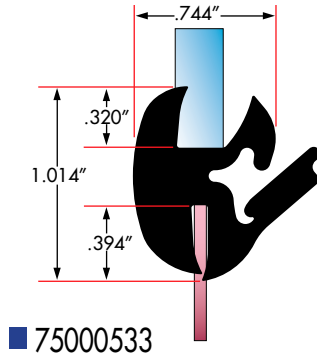


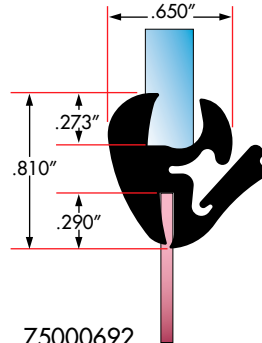
## Seal-Sealing Weatherstrips



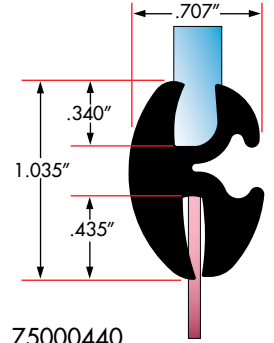
**75000599**  
AS-1522 for use with 1/4" Glass Panel and 1/16" Body Panel



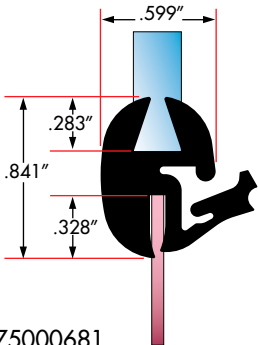
**75000533**  
AS-1615 for use with 1/4" Glass Panel and 1/16" Body Panel



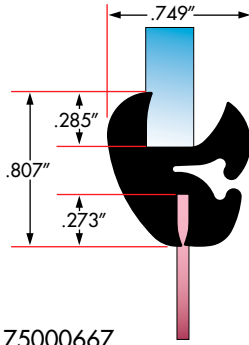
**75000692**  
AS-990 for use with 1/4" Glass Panel and 1/16" Body Panel



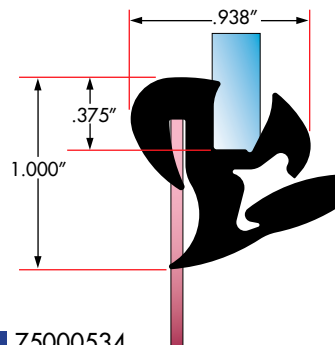
**75000440**  
AS-1216 for use with 1/4" Glass Panel and 1/16" Body Panel



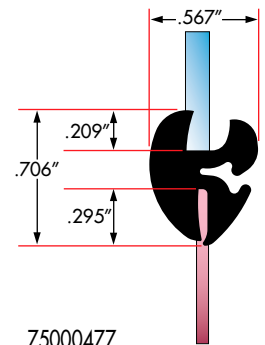
**75000681**  
AS-893 for use with 1/4" Glass Panel and 1/16" Body Panel



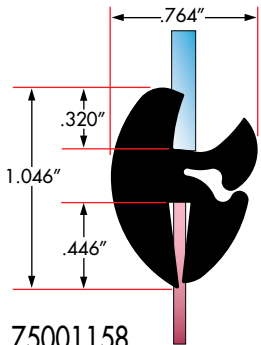
**75000667**  
AS-1035 for use with 1/4" Glass Panel and 1/16" Body Panel



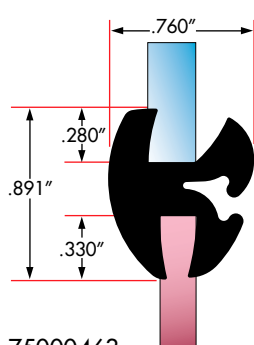
**75000534**  
AS-1621 "S" Type for use with 1/4" Glass Panel and 1/16" Body Panel



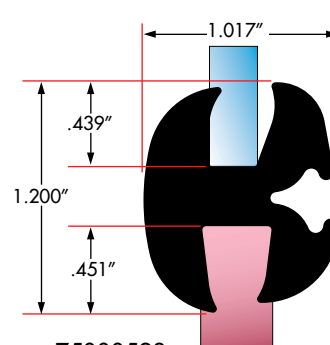
**75000477**  
AS-1475 for use with 1/8" Glass Panel and 1/16" Body Panel



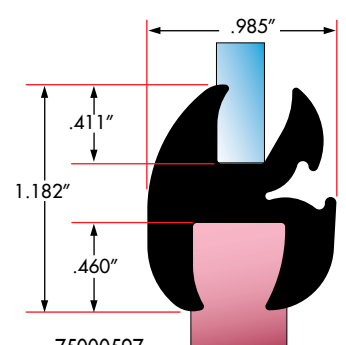
**75001158**  
AS-1827 for use with 1/8" Glass Panel and 1/16" Body Panel



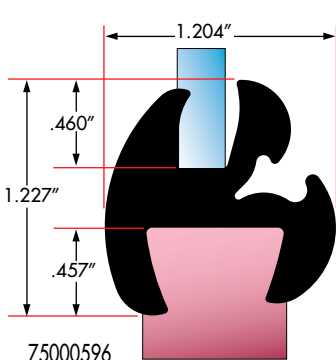
**75000463**  
AS-1456 for use with 1/4" Glass Panel and 3/16" Body Panel



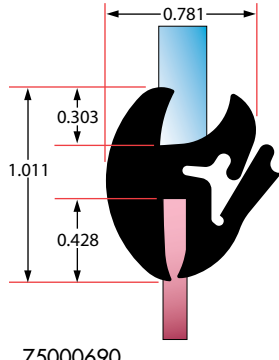
**75000598**  
AS-1708 for use with 1/4" Glass Panel and 3/8" Body Panel



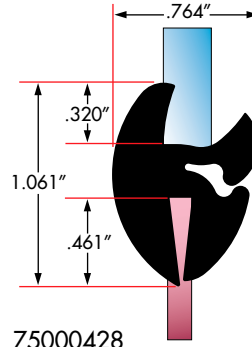
**75000597**  
AS-1707 for use with 1/4" Glass Panel and 1/2" Body Panel



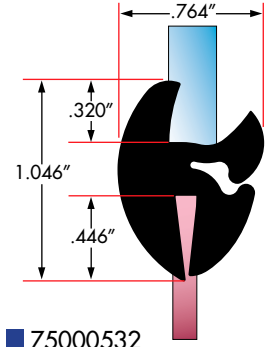
**75000596**  
AS-1706 for use with 1/4" Glass Panel and 3/4" Body Panel



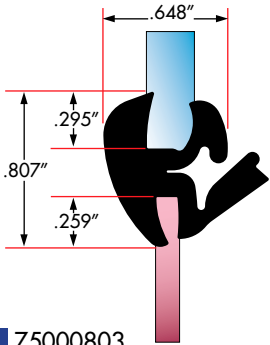
**75000690**  
AS-987 for use with 1/4" Glass Panel and 1/8" Body Panel



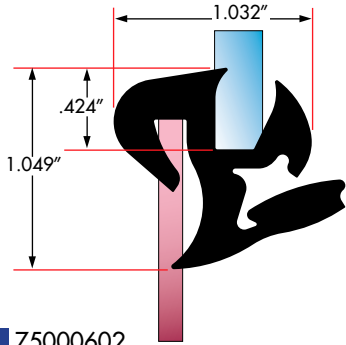
**75000428**  
AS-1179 for use with 1/4" Glass Panel and 1/8" Body Panel



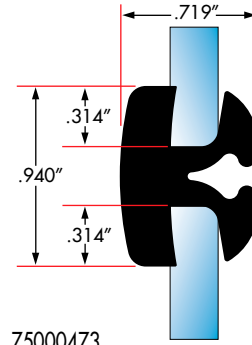
**75000532**  
AS-1596 for use with 1/4" Glass Panel and 1/8" Body Panel



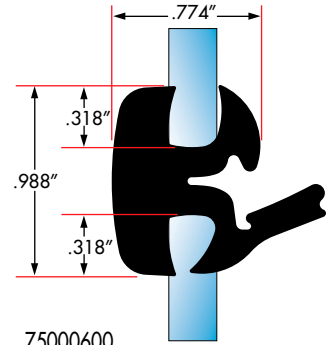
**75000803**  
AS-1663 for use with 1/4" Glass Panel and 1/8" Body Panel



**75000602**  
AS-1660 for use with 1/4" Glass Panel and 1/8" Body Panel



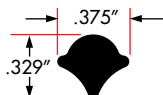
**75000473**  
AS-1488 Division Bar for use with 1/4" Glass Panels



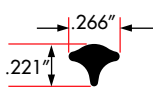
**75000600**  
AS-1536 Division Bar for use with 1/4" Glass Panels

■ indicates higher wax compound

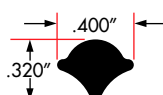
## Lock Strips for 2-Piece Weatherstrips



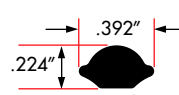
**75000675**  
**75000478**  
AS-789  
EPDM



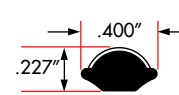
**75000607**  
**75000480**  
AS-1101  
EPDM



**75000687\***  
**75000479\***  
AS-937  
EPDM



**75000630\***  
**75000564\***  
AS-1614  
EPDM

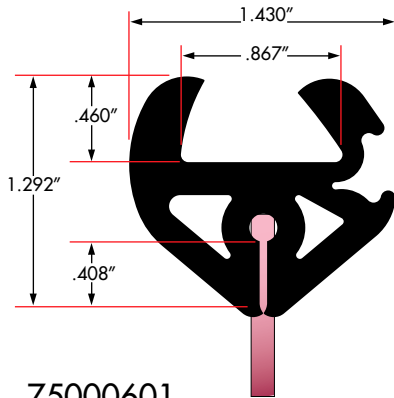


**75000723\***  
**75000965\***  
Chrome  
Vinyl

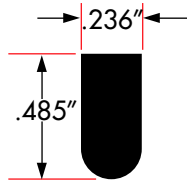
\* 75000687, 75000479, 75000630, 75000564, 75000723, and 75000965 are interchangeable.  
Note: AS-1597 has been replaced by AS-937.



## Self-Sealing Weatherstrips Sliding Window Assembly



**75000601**  
AS-1656 Gasket for use in Sliding Glass Applications with 1/8" Body Panel



**75000502**  
AS-1524 Spacer for use in Sliding Glass Applications

### Sliding Window Assembly

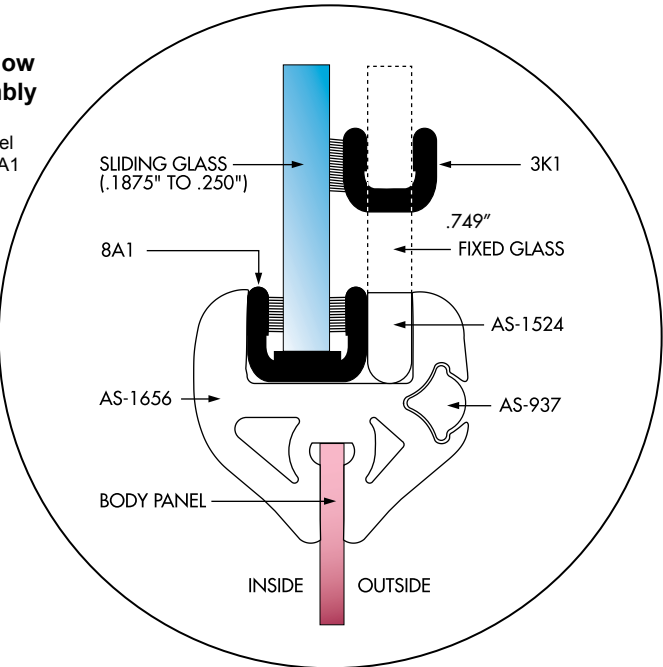
Sliding Window Channel  
StanPro Section 8A1

Glass Edge Weatherstrip  
StanPro Section 3K1

Gasket  
AS-1656

Lock Strip  
AS-937

Spacer  
AS-1524



## Self-Sealing Weatherstrips

### Two-Piece Self Sealing Weatherstrips

PART NUMBER	SECTION NUMBER	GLASS PANEL THICKNESS (INCHES)	BODY PANEL THICKNESS (INCHES)	MINIMUM RECOMMENDED CLEARANCE BETWEEN GLASS & BODY OPENING (INCHES)	OVERALL WIDTH INSTALLED (INCHES)	MINIMUM RECOMMENDED RADIUS OF PANEL OPENING (INCHES)	LOCK STRIP RECOMMENDED
75000667	AS-1035	.2031 to .2500	.0350 to .0670	.2812	0.7490	2.0	75000687*
75000428	AS-1179	.1875 to .2500	.0930 to .1400	.3125	0.7640	2.5	75000687*
75000440	AS-1216	.1875 to .2500	.0350 to .0670	.3125	0.7070	2.5	75000687*
75000463	AS-1456	.1875 to .2500	.1730 to .1950	.3125	0.7600	2.5	75000687*
75000477	AS-1475	.1250 to .1562	.0300 to .0650	.2344	0.5670	2.0	75000607
75000473	AS-1488	.1875 to .2500	.1875 to .2500	.3437	0.7190	3.0	75000687*
75000532 ■	AS-1596	.1875 to .2500	.0930 to .1400	.3125	0.7640	2.5	75000687*
75000601	AS-1656	.1875 to .2500	.0620 to .1400	Fixed Glass: .3420 Sliding Glass: Varies	1.4300	4.0	75000687*
75000596	AS-1706	.1875 to .2500	.7190 to .7820	.3125	1.2040	3.0	75000687*
75000597	AS-1707	.1875 to .2500	.4690 to .5320	.3125	0.9850	2.5	75000687*
75000598	AS-1708	.1875 to .2500	.3120 to .3750	.3125	1.0170	2.5	75000687*
75001158	AS-1827	.1250 to .1562	.0620 to .0930	.3125	0.7640	2.5	75000687*

\* 75000687, 75000479, 75000630, 75000564, 75000723, and 75000965 are interchangeable.

### One-Piece Self Sealing Weatherstrips

PART NUMBER	SECTION NUMBER	GLASS PANEL THICKNESS (INCHES)	BODY PANEL THICKNESS (INCHES)	MINIMUM RECOMMENDED CLEARANCE BETWEEN GLASS & BODY OPENING (INCHES)	OVERALL WIDTH INSTALLED (INCHES)	MINIMUM RECOMMENDED RADIUS OF PANEL OPENING (INCHES)
75000681	AS-893	.1875 to .2500	.0530 to .0960	.2812	0.599	2.5
75000690	AS-987	.1875 to .2500	.0930 to .1400	.3125	0.781	2.5
75000692	AS-990	.1875 to .2500	.0300 to .0750	.2812	0.650	1.5
75000599	AS-1522	.1875 to .2500	.0350 to .0670	.3125	0.746	2.5
75000600	AS-1536	.1875 to .2500	.1875 to .2500	.4060	0.774	3.0
75000533 ■	AS-1615	.1875 to .2500	.0620 to .0930	.3125	0.774	2.0
75000534 ■	AS-1621	.1875 to .2500	.0460 to .0750	** .1250 max.	0.938	2.0
75000602 ■	AS-1660	.1875 to .2500	.0750 to .1400	** .1450 max.	1.032	2.0
75000803 ■	AS-1633	.1875 to .2500	.0930 to .1400	.2812	0.648	2.0

\*\* "S" type - maximum overlap of glass and body (inches)

■ Indicates higher wax compound. Higher wax content offers installation ease, however wax bloom may occur.

All parts are 70 (+/- 5) durometer and are made of EPDM rubber.

