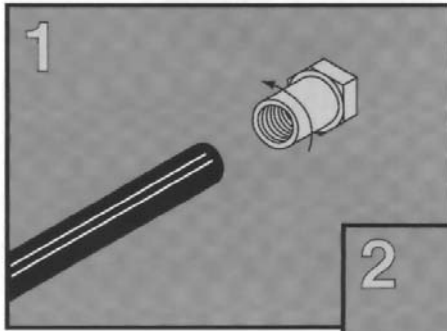
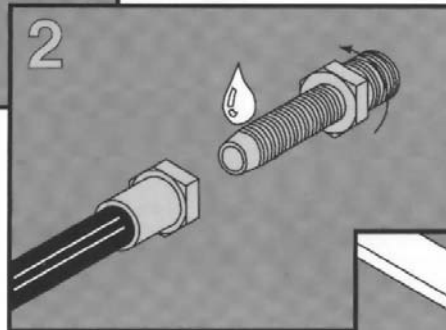


# COUPLINGS

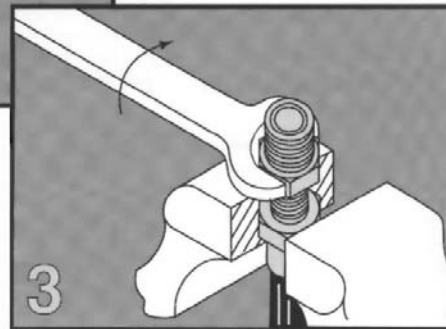
## REUSABLE AIR HOSE FITTINGS



**Step 1**  
 Slip and twist ferrule on end of hose which has been trimmed flush. No skiving necessary.

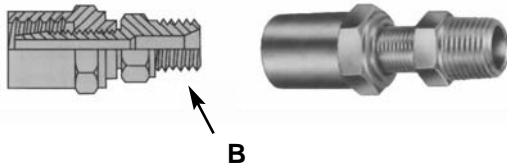


**Step 2**  
 Apply a drop or two of lubricant to fitting before inserting into ferrule.



**Step 3**  
 Turn re-usable fitting into ferrule. Hose is expanded inside ferrule for perfect fit.

**Installing Re-Usable Fittings Without Skiving or Crimping**



Part #	Hose ID	Hose OD	NPTF Thread B	Stem Hex	Ferrule Hex
183-4082		1/2	1/8 - 27	9/16	11/16
183-4092	1/4	9/16	1/8 - 27	9/16	3/4
183-4102		5/8	1/8 - 27	9/16	13/16
183-4084		1/2	1/4 - 18	9/16	11/16
183-4094	1/4	9/16	1/4 - 18	9/16	3/4
183-4104		5/8	1/4 - 18	9/16	13/16
183-4086		1/2	3/8 - 18	11/16	11/16
183-4096	1/4	9/16	3/8 - 18	11/16	3/4
183-4106		5/8	3/8 - 18	11/16	13/16
183-5094		9/16	1/4 - 18	9/16	3/4
183-5104	5/16	5/8	1/4 - 18	9/16	13/16
183-5114		11/16	1/4 - 18	9/16	7/8
183-5096		9/16	3/8 - 18	11/16	3/4
183-5106	5/16	5/8	3/8 - 18	11/16	13/16
183-5116		11/16	3/8 - 18	11/16	7/8

Part #	Hose ID	Hose OD	NPTF Thread B	Stem Hex	Ferrule Hex
183-6104		5/8	1/4 - 18	9/16	13/16
183-6114	3/8	11/16	1/4 - 18	9/16	7/8
183-6124		3/4	1/4 - 18	9/16	7/8
183-6106		5/8	3/8 - 18	11/16	13/16
183-6116	3/8	11/16	3/8 - 18	11/16	7/8
183-6126		3/4	3/8 - 18	11/16	7/8
183-6108		5/8	1/2 - 14	7/8	13/16
183-6118	3/8	11/16	1/2 - 14	7/8	7/8
183-6128		3/4	1/2 - 14	7/8	7/8
183-8144		7/8	1/4 - 18	11/16	1 1/16
183-8154	1/2	15/16	1/4 - 18	11/16	1 1/8
183-8164		1	1/4 - 18	11/16	1 3/16
183-8146		7/8	3/8 - 18	11/16	1 1/16
183-8156	1/2	15/16	3/8 - 18	11/16	1 1/8
183-8166		1	3/8 - 18	11/16	1 3/16
183-8148		7/8	1/2 - 14	7/8	1 1/16
183-8158	1/2	15/16	1/2 - 14	7/8	1 1/8
183-8168		1	1/2 - 14	7/8	1 3/16